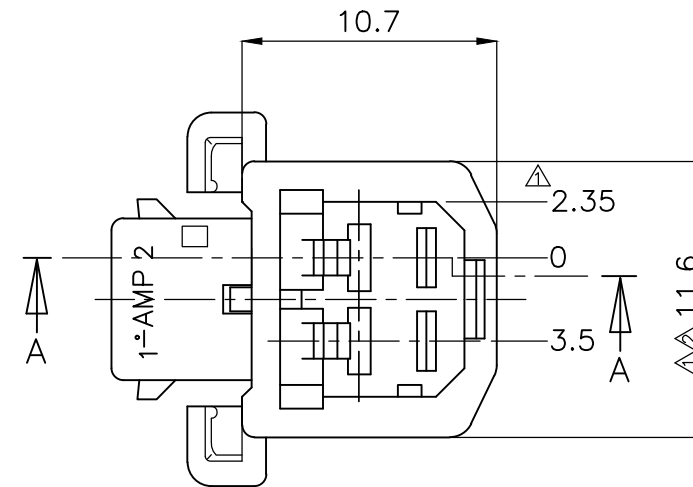
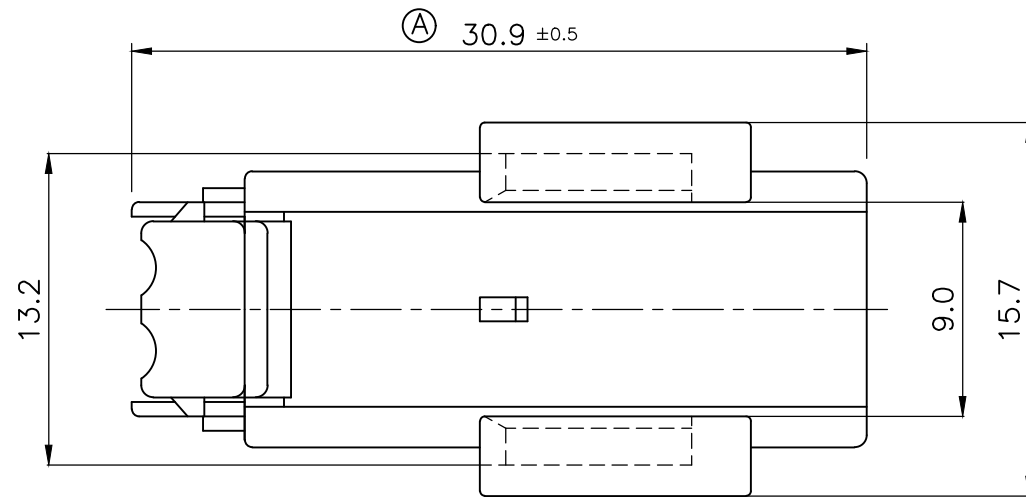
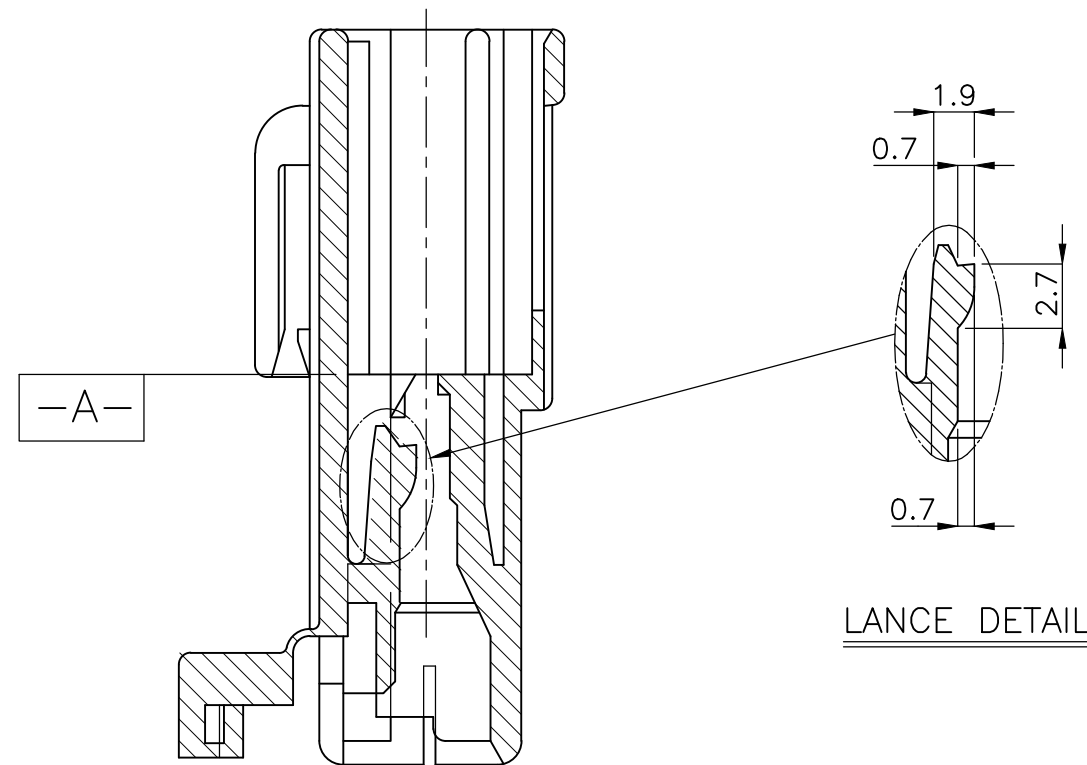
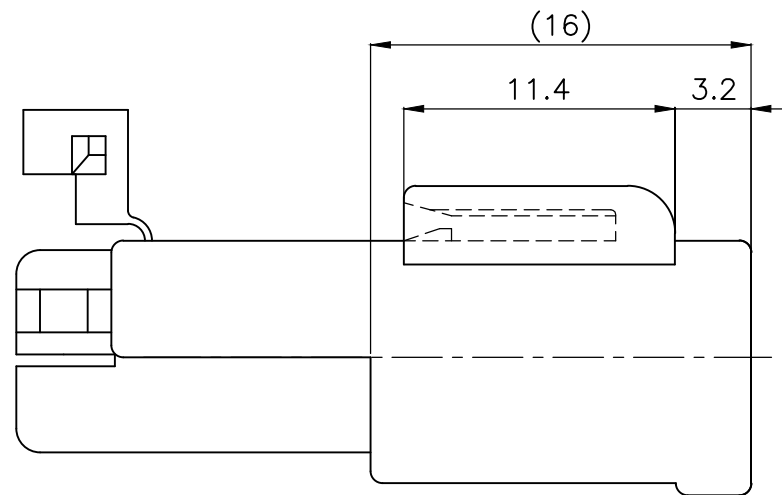


P	LTR	DESCRIPTION	DATE	DWN	APVD
	A2	REVISED ECR-20-015261	18NOV2020	VI	JJ



NOTE

- △ TO BE MEASURED BETWEEN -A- AND 2mm
- △ TO BE MATED WITH PLUG HSG SMOOTHLY.
- 3. APPLIED CONTACT P/N : 173633 & 173645,85099.
- 4. APPLIED REC. HSG HSG P/N : 174463.



SECTION A-A

LANCE DETAIL

OBSOLETE	△ BLUE	85284-5
	WHITE	85284-1
	COLOR	PART NO

APPLICABLE TAB CONTACT			
WIRE RANGE		TML P/N	CURRENT (A)
AWG	mm <sup>2</sup>		
24-22	0.2-0.35	173633	3
20-16	0.5-1.25	173645	10
16-14	1.25-2.0	85099	10

TOLERANCE UNLESS OTHERWISE SPECIFIED

0 < XX < 10	±0.2
10 < XX < 30	±0.25
30 < XX < 100	±0.3
ANGLES	±3°

THIS DRAWING IS A CONTROLLED DOCUMENT.

DIMENSIONS: mm	TOLERANCES UNLESS OTHERWISE SPECIFIED: 0 PLC ± - 1 PLC ± - 2 PLC ± - 3 PLC ± - 4 PLC ± - ANGLES ± - FINISH
MATERIAL PBT	

DWN JM JEON	CHK -	APVD JW JUNG		NAME .070 MLC 2P CAP HSG(CLIP TYPE)	
PRODUCT SPEC		APPLICATION SPEC		SIZE A3	CAGE CODE 00779
WEIGHT 0		DRAWING NO C-85284		RESTRICTED TO -	
CUSTOMER DRAWING			SCALE FREE	SHEET 1 OF 1	REV A2

